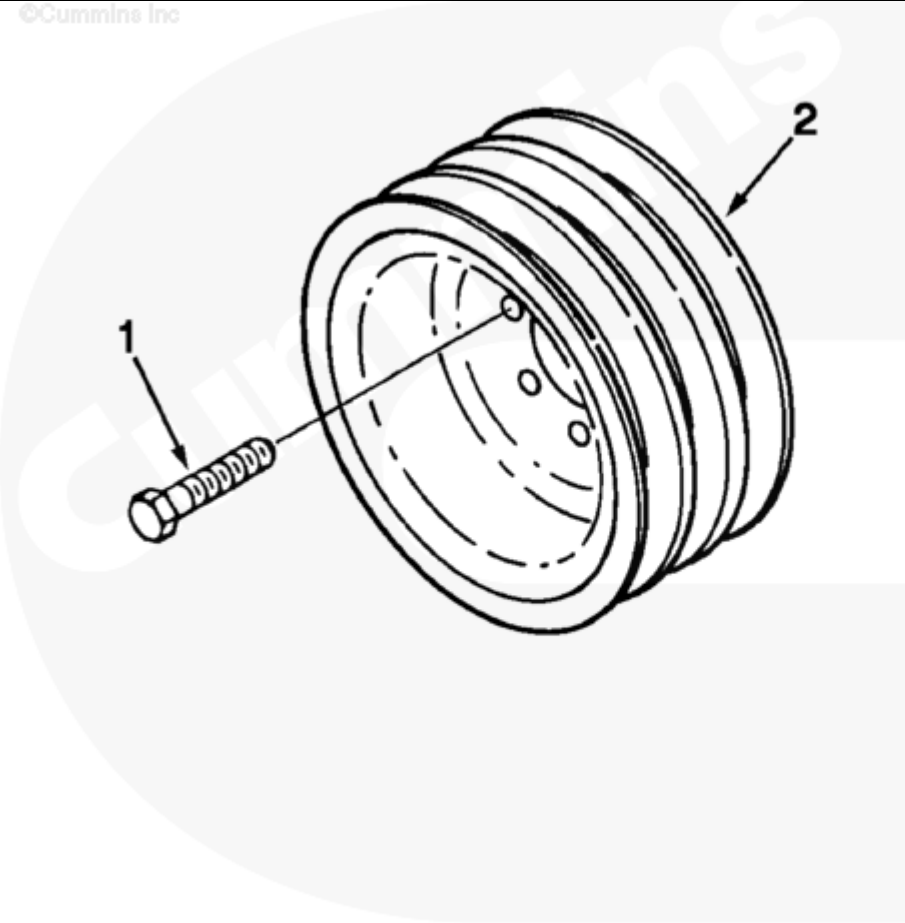




Parts Catalog - Option Detail

Electronic Parts Catalog - Option Detail				
Option	Group	Graphic	Film Card	Date
AD1247	09.03	ad100gz	FF	22-JAN-96
Engines	G855, G855 CM558, GTA855 CM558 (CM2358) G101, N14 CELECT, N14 CELECT PLUS, N14 MECHANICAL, NH/NT 855, QSM11 CM876 M101, QSM11 CM876 M102M, QSN14 CM876 N103, QSN14 CM876 N105, QSNT14 CM876 N102			

©Cummins Inc



ad100gz

[SMALL](#) | [MEDIUM](#) | [LARGE](#)

Cart	Ref No	Part Number	Part Description	Required	Remarks
View My Cart					
		AD1247	Accessory Drive Pulley		
					Intended drive: Fan and
					Accessory.
					Fan groove diameter (in):

					7.04 (178.816mm).
					Fan groove type (in): Three
					.515 V.
					Fan drive groove location
					(nominal-in): 5.01
					(127.254mm).
					Extra groove diameter (in):
					7.55 (191.77mm).
					Extra groove type (in):
					Single .515 V.
					Extra groove location (in):
					4.00 (101.6mm).
<input type="checkbox"/>	1	175833	Hexagon Head Cap Screw	6	3/8 - 16 X 1 1/8 Inch.
<input type="checkbox"/>	2	3039596	Accessory Drive Pulley	1	